

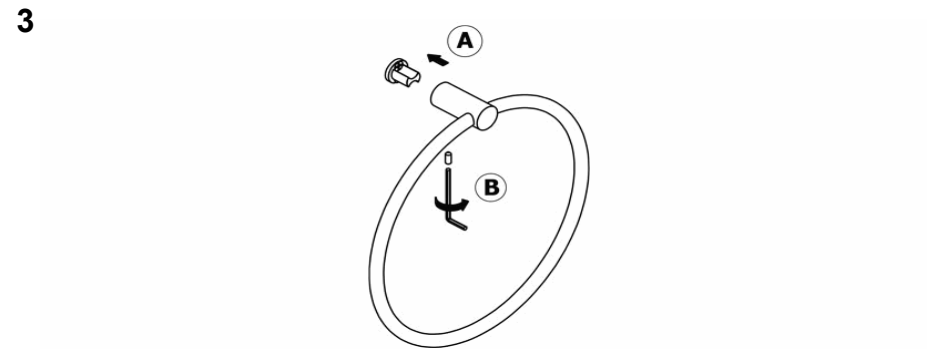
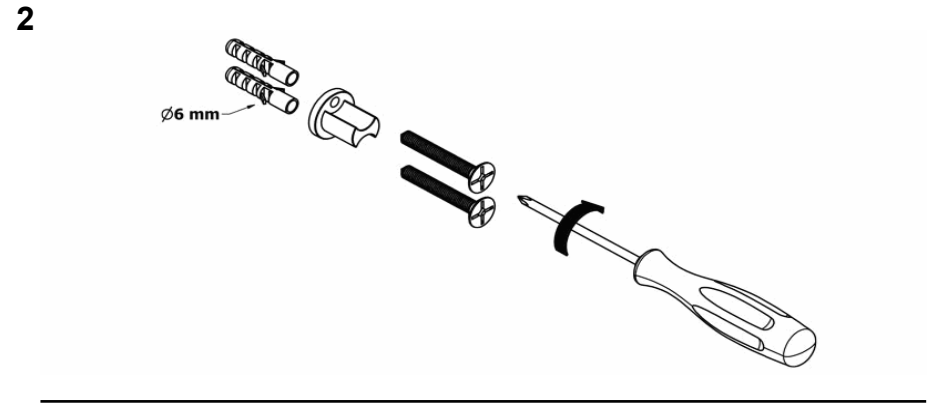
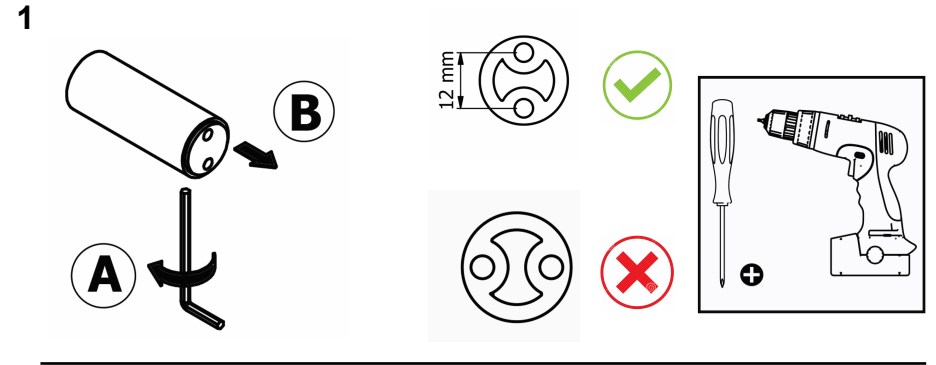
Product Description

Line: Spok
Type: Towel Ring
Code: 15109
Metal: Brass

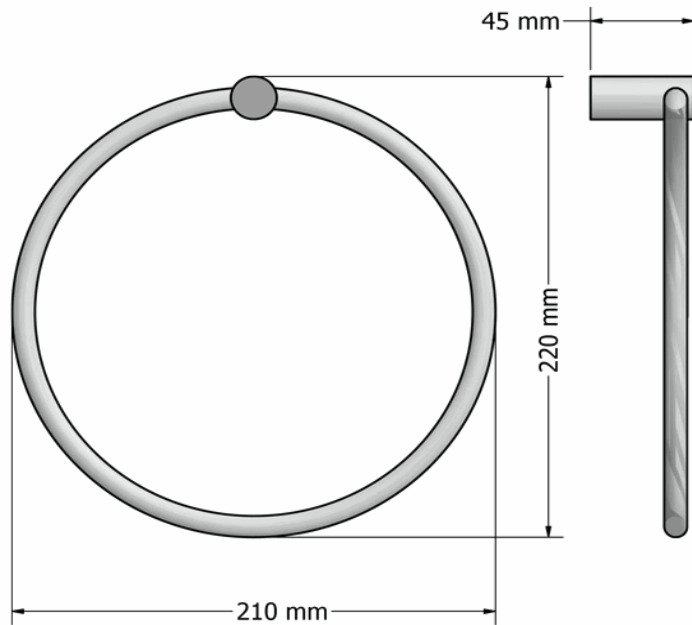
Product Photo



Mounting Instructions



Technical Sheet



KATSIERIS BROS S.A.

Industry Bathroom accessories, Design & Manufacturing, Koropi Industrial Region, Loc: Poka 194 00, Koropi P.O. 27. Athens-Greece T:+30 210 6627 500, F:+30 210 6626 830
 info@sanco.gr, www.sanco.gr



Quality Management System
 EAOT EN ISO 9001:2008
 Cert. No 1008/A/2010



Environmental Management System
 EAOT EN ISO 14001:2004
 Cert. No 144/T/2010

