

## Product Description

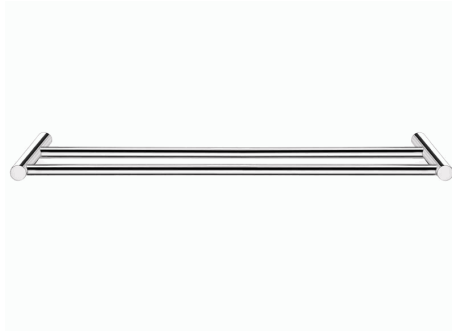
**Line:** Spok

**Type:** Double Towel Rail 60cm

**Code:** 15105

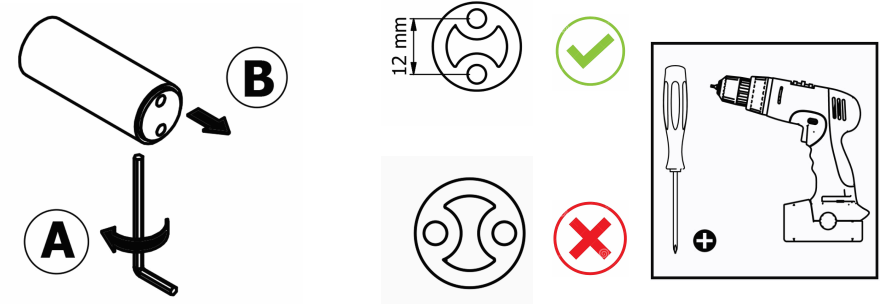
**Metal:** Brass

## Product Photo

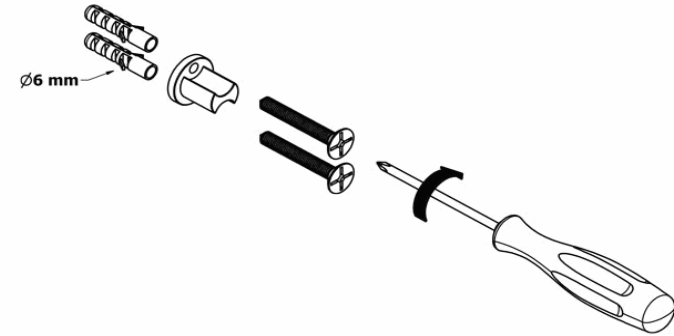


## Mounting Instructions

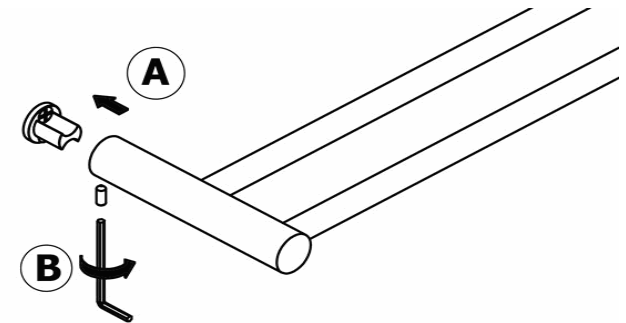
1



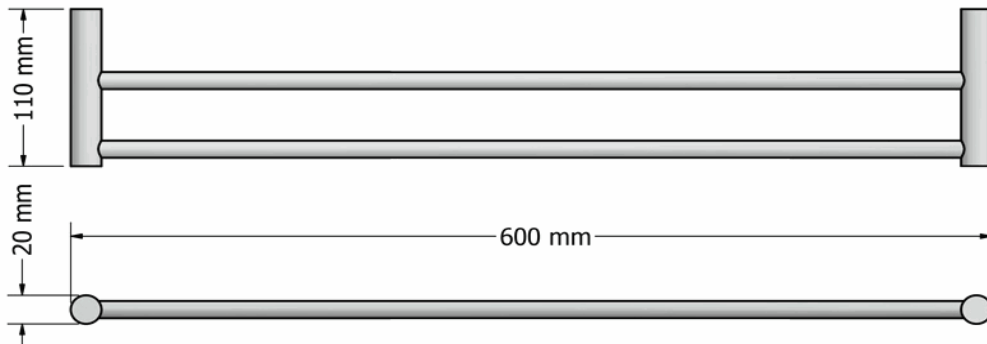
2



3



## Technical Sheet



### KATSIERIS BROS S.A.

Industry Bathroom accessories, Design & Manufacturing, Koropi Industrial Region, Loc: Poka 194 00, Koropi P.O. 27. Athens-Greece T:+30 210 6627 500, F:+30 210 6626 830  
info@sanco.gr, www.sanco.gr



Quality Management System  
EAOT EN ISO 9001:2008  
Cert. No 1008/A/2010



Environmental Management System  
EAOT EN ISO 14001:2004  
Cert. No 144/T/2010

