

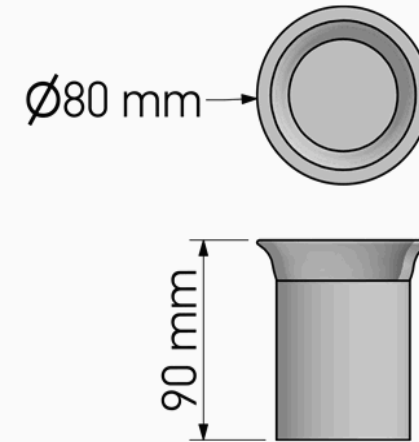
## Product Description

Line : Bathroom Set  
Type : Portable Glass Holder  
Code : 90111



## Technical Sheet

Finishing : Chrome  
Metal : Brass



### KATSIERIS BROS S.A.

Industry Bathroom accessories, Design & Manufacturing, Koropi Industrial Region, Loc: Poka 194 00, Koropi P.O. 27. Athens-Greece T:+30 210 6627 500, F:+30 210 6626 830  
info@sanco.gr, www.sanco.gr



Quality Management System  
**EAOT EN ISO 9001:2008**  
Cert. No 1008/Δ/2010



Environmental Management System  
**EAOT EN ISO 14001:2004**  
Cert. No 144/Γ/2010

