

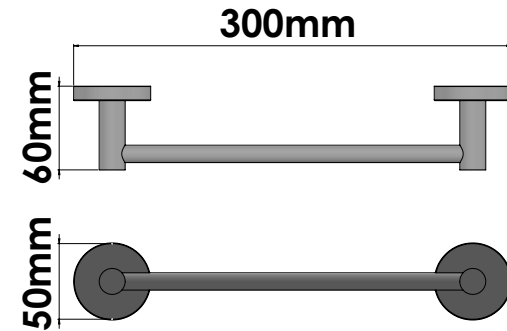
Product Description

Line **Inox Project**
Type **Single Towel Rail (30cm)**
Code **28704-30-M90**



Technical Sheet

Finishing **Mat Inox**
Metal **INOX AISI 304**



KATSIERIS BROS S.A.

Industry Bathroom accessories, Design & Manufacturing, Koropi Industrial Region, Loc: Poka 194 00, Koropi P.O. 27. Athens-Greece T:+30 210 6627 500, info@sanco.gr, www.sanco.gr

