

## Product Description

**Line:** Inox Project

**Type:** Soap Dish wall Mounted

**Code:** 28702

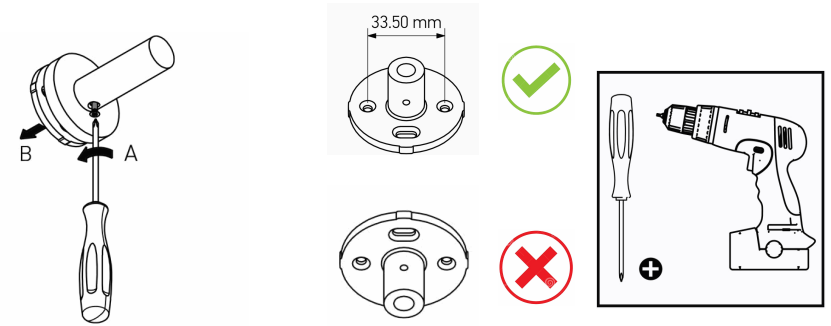
**Metal:** INOX AISHI 304

## Product Photo

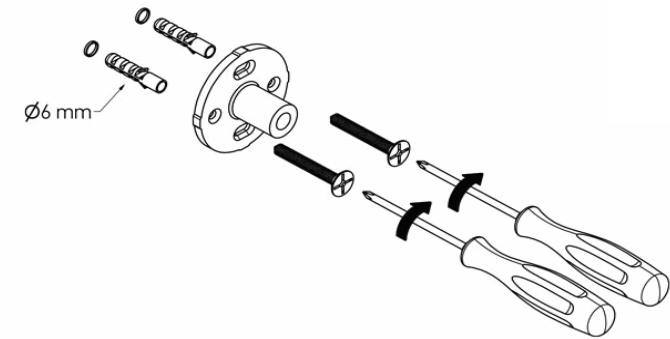


## Mounting Instructions

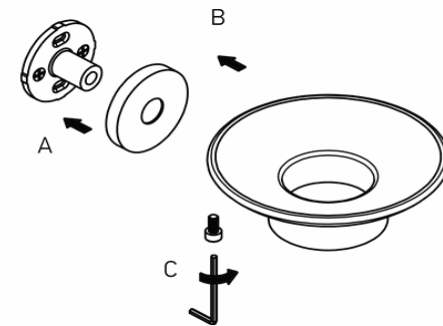
1



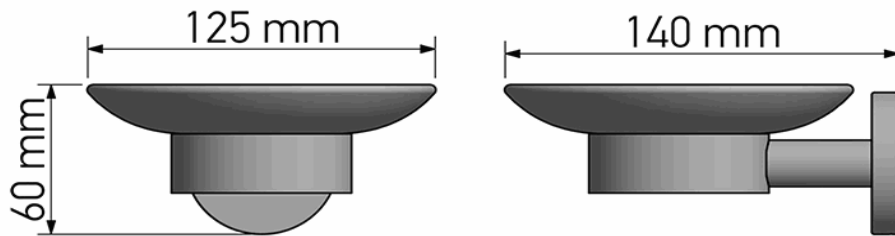
2



3



## Technical Sheet



**KATSIERIS BROS S.A.**

Industry Bathroom accessories, Design & Manufacturing, Koropi Industrial Region, Loc: Poka 194 00, Koropi P.O. 27. Athens-Greece T:+30 210 6627 500  
info@sanco.gr, www.sanco.gr



Quality Management System  
EAOT EN ISO 9001:2008  
Cert. No 1008/A/2010



Environmental Management System  
EAOT EN ISO 14001:2004  
Cert. No 144/1/2010

