

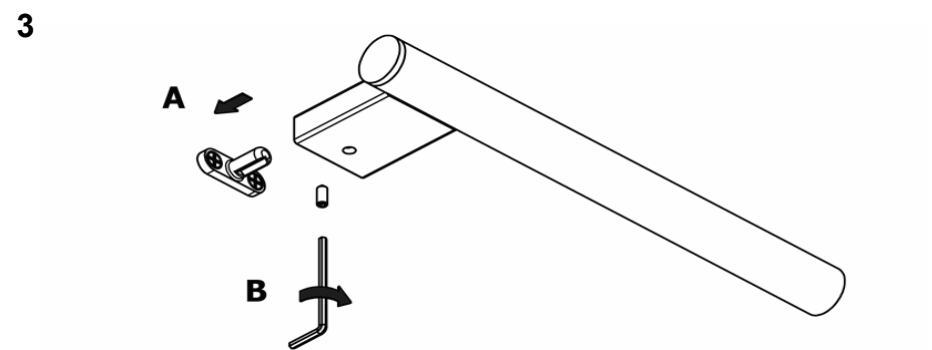
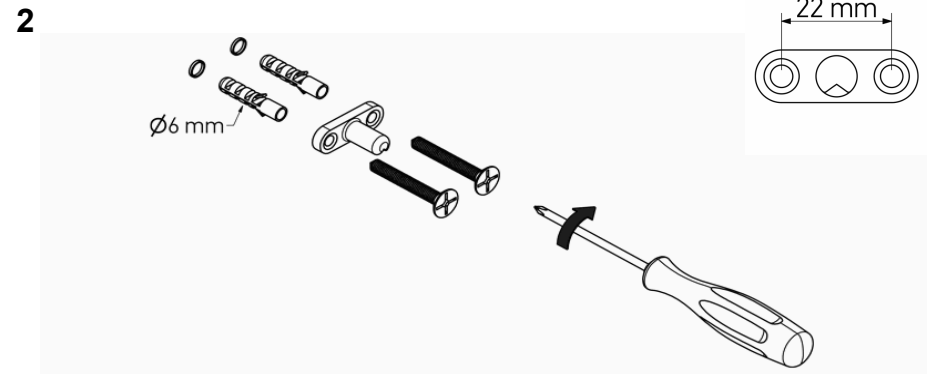
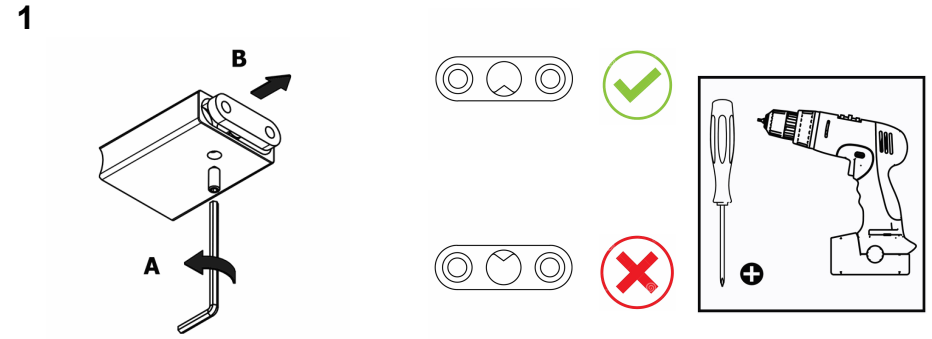
# Product Description

**Line:** Academia  
**Type:** Towel Ring  
**Code:** 21819  
**Metal:** Brass

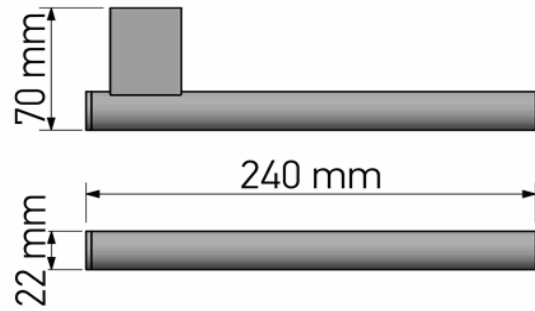
# Product Photo



# Mounting Instructions



# Technical Sheet



## KATSIERIS BROS S.A.

Industry Bathroom accessories, Design & Manufacturing, Koropi Industrial Region, Loc: Poka 194 00, Koropi P.O. 27. Athens-Greece T:+30 210 6627 500, F:+30 210 6626 830  
info@sanco.gr, www.sanco.gr



Quality Management System  
EAOT EN ISO 9001:2008  
Cert. No 1008/A/2010



Environmental Management System  
EAOT EN ISO 14001:2004  
Cert. No 144/1/2010

