

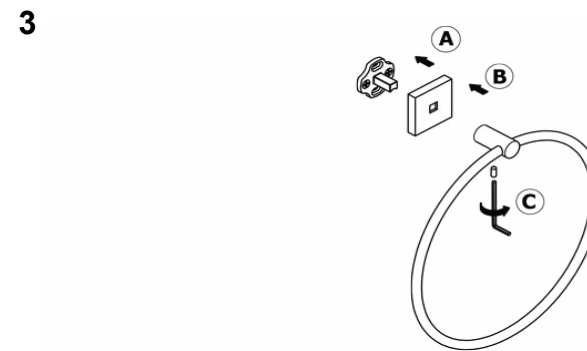
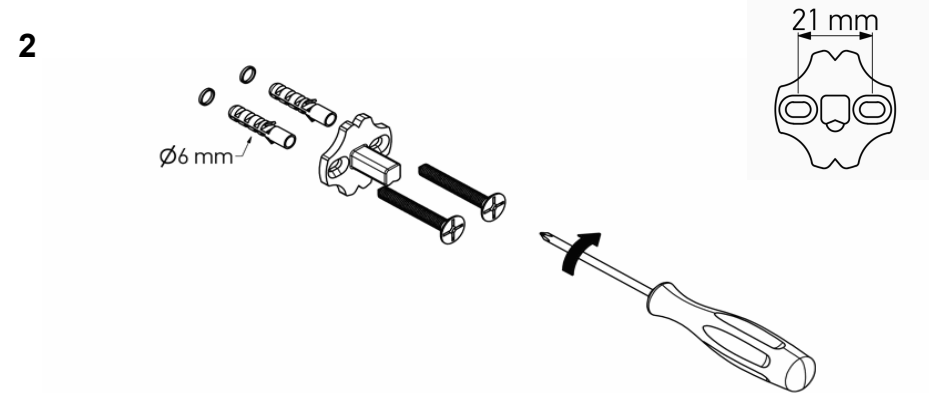
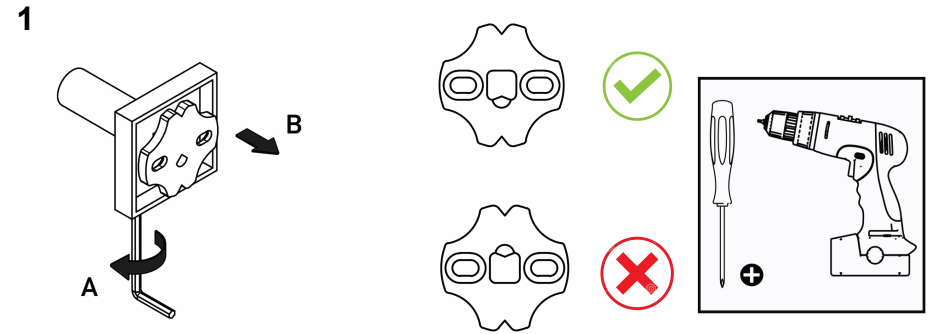
## Product Description

**Line:** Tempo  
**Type:** Towel Ring  
**Code:** 14009  
**Metal:** Brass

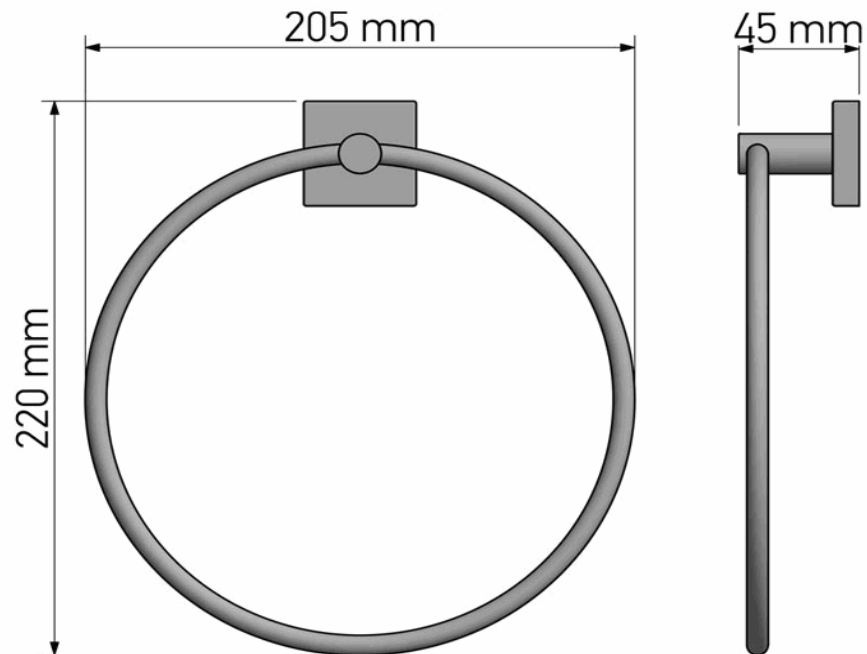
## Product Photo



## Mounting Instructions



## Technical Sheet



**KATSIERIS BROS S.A.**

Industry Bathroom accessories, Design & Manufacturing, Koropi Industrial Region, Loc: Poka 194 00, Koropi P.O. 27. Athens-Greece T:+30 210 6627 500  
 info@sanco.gr, www.sanco.gr



Quality Management System  
**EAOT EN ISO 9001:2008**  
 Cert. No 1008/A/2010



Environmental Management System  
**EAOT EN ISO 14001:2004**  
 Cert. No 144/1/2010

