

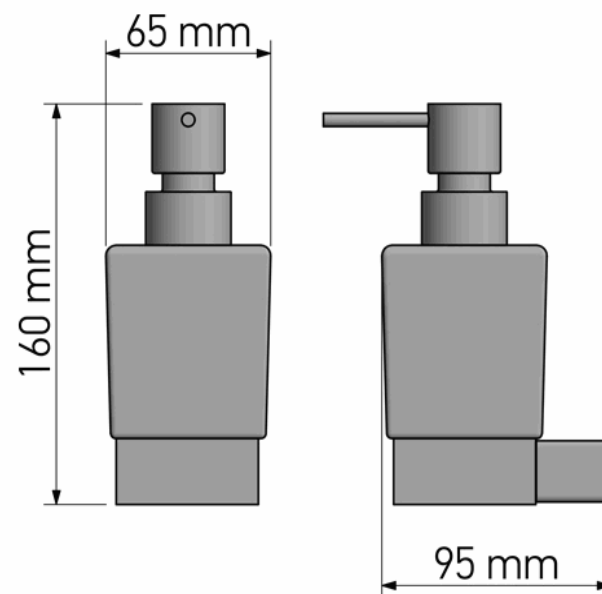
Product Description

Line : Agora
Type : Dispenser wall Mounted
Code : 120622-M116



Technical Sheet

Finishing : Black Mat
Metal : Brass & Aluminium



SANCO KATSIERIS BROS S.A.
Industry Bathroom accessories,
Design & Manufacturing

Koropi Industrial Region
Loc: Poka 194 00, Koropi P.O. 27,
Athens-Greece

tel.: +30 210 6627500
fax : +30 210 6626830
www.sanco.gr - info@sanco.gr



EN ISO 9001:2008



EN ISO 14001:2004

We guarantee the products are made in our factory in Greece