

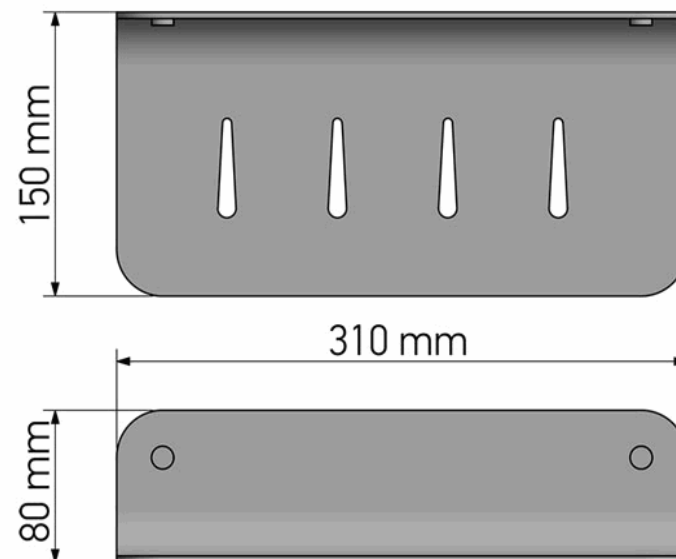
## Product Description

**Line** : Avaton  
**Type** : Sponge Dish  
**Code** : 120103-M118



## Technical Sheet

**Finishing** : Anthracite Grained  
**Metal** : Aluminum



**SANCO KATSIERIS BROS S.A.**  
Industry Bathroom accessories,  
Design & Manufacturing

Koropi Industrial Region  
Loc: Poka 194 00, Koropi P.O. 27,  
Athens-Greece

tel.: +30 210 6627500  
fax : +30 210 6626830  
www.sanco.gr - info@sanco.gr



EN ISO 9001:2008



EN ISO 14001:2004

We guarantee the products are made in our factory in Greece