

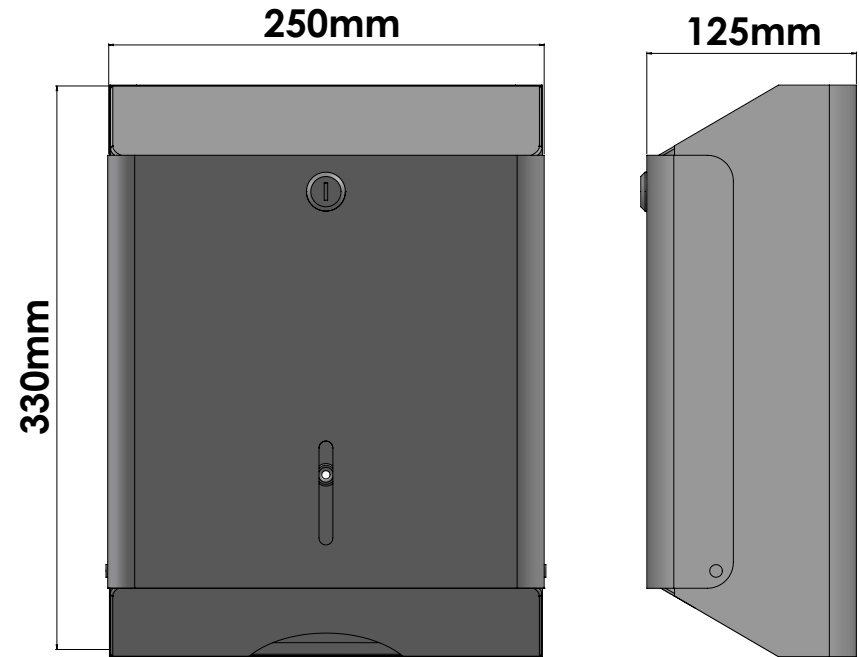
## Product Description

Line Extra  
 Type Paper towel dispenser (AISI 304)  
 Code 099-A90



## Technical Sheet

Finishing Inox  
 Metal INOX AISI 304



**KATSIERIS BROS S.A.**

Industry Bathroom accessories, Design & Manufacturing, Koropi Industrial Region, Loc: Poka 194 00, Koropi P.O. 27. Athens-Greece T:+30 210 6627 500, info@sanco.gr, www.sanco.gr

